

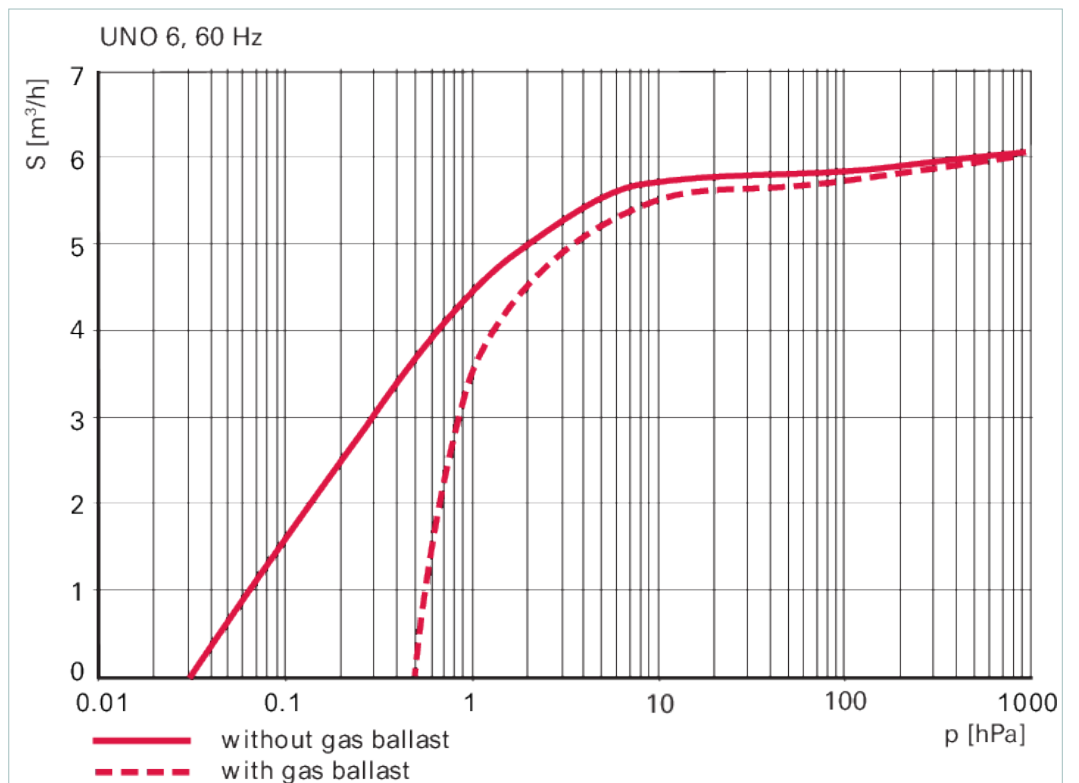
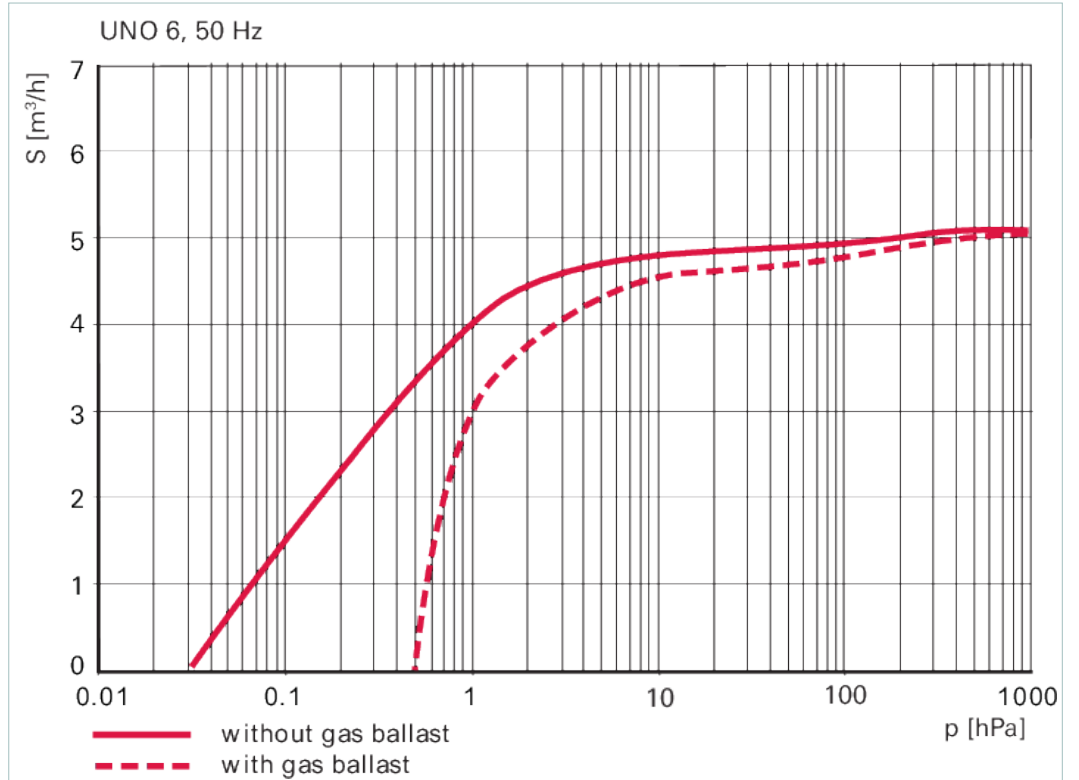


Uno 6 M, 1-phase Motor, 230–240 V, 50/60 Hz

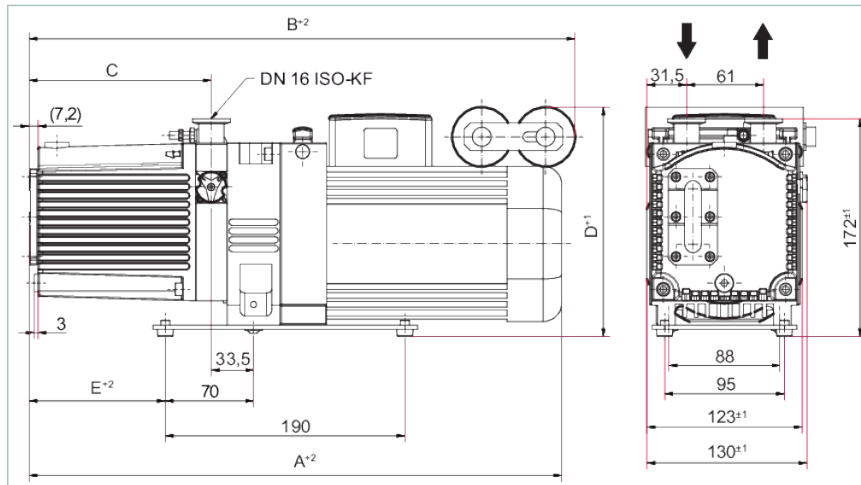
Uno 6 M, 1-phase Motor, 230–240 V, 50/60 Hz



Similar Image



Dimensions



A	351 mm
B	351 mm
C	123 mm
D	176 mm
E	85.5 mm

Technical Data	Uno 6 M, 1-phase Motor, 230–240 V, 50/60 Hz
Pumping speed at 60 Hz	5.8 m³/h 3.41 cfm 96.67 l/min
Pumping speed at 50 Hz	4.8 m³/h 2.83 cfm 80 l/min
Protection category	IP40
Ultimate pressure with gas ballast	$5 \cdot 10^{-1}$ hPa $3.75 \cdot 10^{-1}$ Torr $5 \cdot 10^{-1}$ mbar
Ultimate pressure without gas ballast	$3 \cdot 10^{-2}$ hPa $2.25 \cdot 10^{-2}$ Torr $3 \cdot 10^{-2}$ mbar
Flange (in)	DN 16 ISO-KF
Flange (out)	DN 16 ISO-KF
Rated power 50 Hz	0.15 kW
Rated power 60 Hz	0.18 kW
Recommended mains fuse capacity	4 A
Motor version	1-ph motor
Motor protection	Bimetal
Mains cable	No
Cooling method, standard	Air
Ambient temperature	12–40 °C 53.6–104 °F 285–313 K
Exhaust pressure, max.	1,500 hPa 1,125 Torr 1,500 mbar
Emission sound pressure level without gas ballast at 50 Hz	56 dB(A)
Gas ballast	Yes
Operating fluid	P3
Operating fluid filling	0.4 l
Rotation speed at 50 Hz	3,000 rpm 3,000 min ⁻¹
Rotation speed at 60 Hz	3,600 rpm 3,600 min ⁻¹
Leak rate safety valve	$\leq 1 \cdot 10^{-5}$ Pa m³/s $\leq 7.5 \cdot 10^{-5}$ Torr l/s $\leq 1 \cdot 10^{-4}$ mbar l/s
Dimensions (L x W x H)	353 x 128 x 177 mm 13.9 x 5.04 x 6.97 inch
Weight	12 kg 26.46 lb

Order number

Uno 6 M

PK D07 112

Accessories	
Cables Mains cables / Power cords	
Mains cable 230 V with safety plug, right angle IEC 320/C13 socket, 2 m	PK 050 109
Mains cable 115 V with NEMA-plug, right angle IEC 320/C13 socket, 2 m	PK 050 110
Mains cable 115/230 V without plug, rubber connector (right angle), 3 m	PK 050 111
Monitoring Operations monitoring units	
Operations monitoring unit 3 for Duo 1.6/3/6/11 and Duo 5/10/20 M	PK 196 146 -T
Operations monitoring unit 2 for Duo 1.6/3/6/11 and Duo 5/10/20 M	PK 196 147 -T
Operations monitoring unit 1 for Duo 1.6/3/6/11 and Duo 5/10/20 M	PK 196 148 -T
Operating Fluids Mineral oil	
P3, mineral oil, 1 l	PK 001 106 -T
P3, mineral oil, 0.5 l	PK 001 136 -T
Protection Condensate separators	
KAS 16, condensate separator for pumping speeds from 1.6 to 12 m ³ /h	PK Z10 003
Protection Dust separators/Inlet particle filters	
SAS 16, DN 16 ISO-KF, polyester filter	PK Z60 506
Protection Oil mist eliminators	
OME 16 S, oil mist separator for pumping speeds up to 12 m ³ /h	PK Z40 000
OME 16 M, oil mist separator for pumping speeds up to 12 m ³ /h	PK Z40 003
Protection Oil return units from oil mist eliminators	
Oil return unit from OME 16 S/16 C to Duo 1.6/Duo 3/Duo 6/Duo 11/Uno 6	PK 005 986 -T
Oil return unit from OME 16 M to Duo 1.6, 3, 6, 11, Uno 6	PK 006 080 -T
Protection Sorption traps	
ZFO 16, zeolite trap	PK Z70 003
Valves Gas ballast valves, magnetic	
Gas ballast valve with solenoid valve 24 V DC	PK 194 343 -U

VACUUM SOLUTIONS FROM A SINGLE SOURCE

Pfeiffer Vacuum stands for innovative and custom vacuum solutions worldwide, technological perfection, competent advice and reliable service.

COMPLETE RANGE OF PRODUCTS

From a single component to complex systems:

We are the only supplier of vacuum technology that provides a complete product portfolio.

COMPETENCE IN THEORY AND PRACTICE

Benefit from our know-how and our portfolio of training opportunities!

We support you with your plant layout and provide first-class on-site service worldwide.

Are you looking for a
perfect vacuum solution?
Please contact us:

Pfeiffer Vacuum GmbH
Headquarters · Germany
T +49 6441 802-0
info@pfeiffer-vacuum.de

www.pfeiffer-vacuum.com

All data subject to change without prior notice.

PFEIFFER  **VACUUM**