

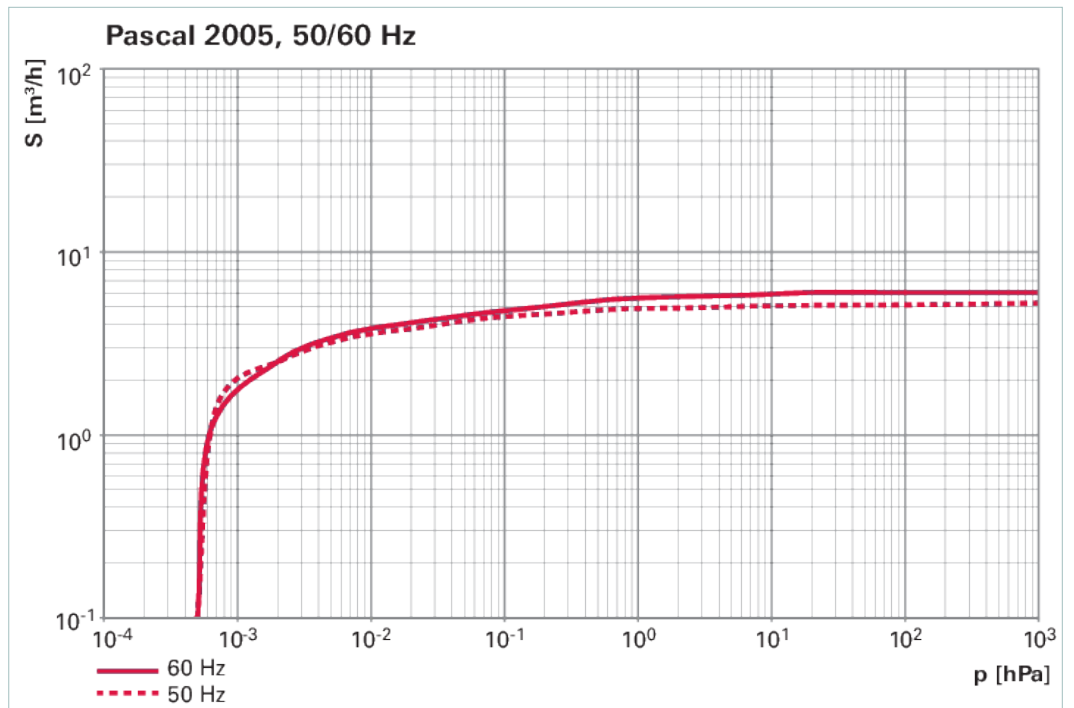
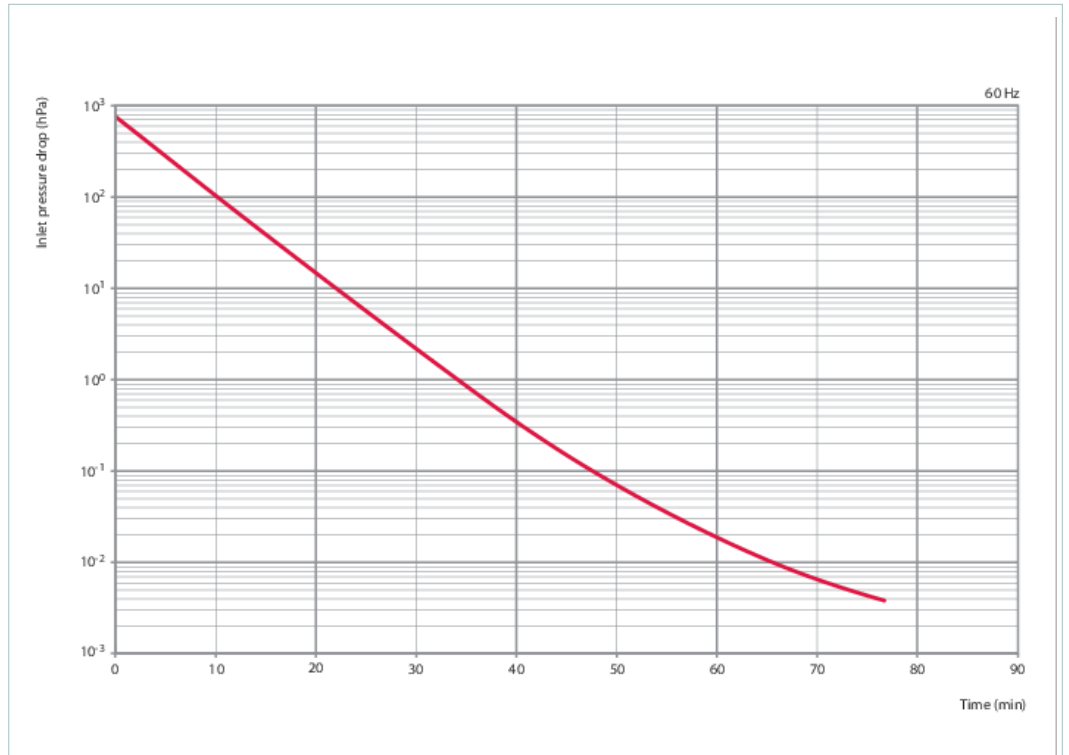


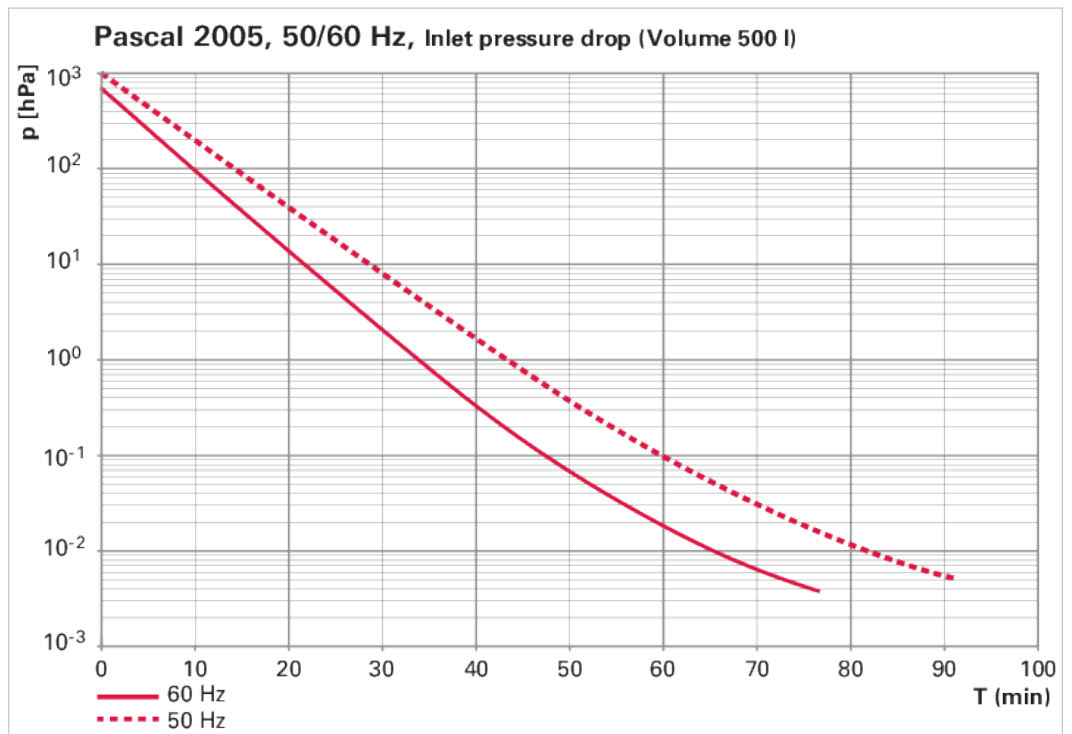
Pascal 2005, SD Version, 1-Phase Motor, 180–254 V, 50/60 Hz, CE/UL/CSA



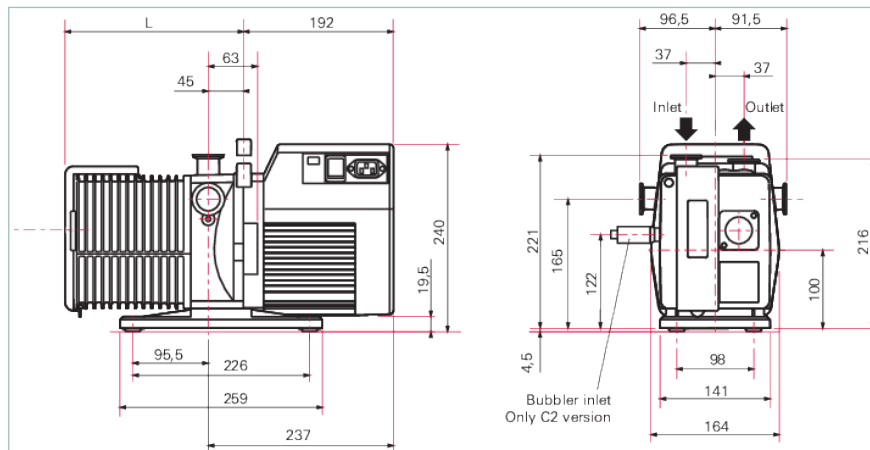
Similar Image

**Pascal 2005, SD Version, 1-Phase Motor, 180–254 V,
50/60 Hz, CE/UL/CSA**





Dimensions



L 228 mm

Technical Data	Pascal 2005, SD Version, 1-Phase Motor, 180–254 V, 50/60 Hz, CE/UL/CSA
Flange (in)	DN 25 ISO-KF
Flange (out)	DN 25 ISO-KF
Pumping speed at 50 Hz	5 m ³ /h 2.94 cfm 83.33 l/min
Pumping speed at 60 Hz	6 m ³ /h 3.53 cfm 100 l/min
Ultimate pressure	5 · 10 ⁻⁴ hPa 3.75 · 10 ⁻⁴ Torr 5 · 10 ⁻⁴ mbar
Ultimate pressure with gas ballast	1 · 10 ⁻² hPa 7.5 · 10 ⁻³ Torr 1 · 10 ⁻² mbar
Ultimate pressure without gas ballast	5 · 10 ⁻⁴ hPa 3.75 · 10 ⁻⁴ Torr 5 · 10 ⁻⁴ mbar
Motor version	1-ph motor
Mains requirement: voltage 50 Hz	180 – 254 V
Mains requirement: voltage 60 Hz	180 – 254 V
Mains cable	Yes, EU power cable
Operating fluid	Mineral oil
Rated power 50 Hz	0.45 kW
Rated power 60 Hz	0.55 kW
Protection category	IP43

Technical Data	Pascal 2005, SD Version, 1-Phase Motor, 180–254 V, 50/60 Hz, CE/UL/CSA
Weight	25 kg 55.12 lb

Order number	
Pascal 2005, SD Version	205SDMHEM

Accessories	
Monitoring Oil/Operating fluid level monitoring	
Oil level switch OLS 4	104376
Protection Catalyzer traps	
URB 025, catalytic trap, 115 V	PT U10 761
URB 025, catalytic trap, 230 V	PT U10 760
Protection Cold traps	
KLF 025, cold trap	PK Z80 006
Protection Condensate separators	
KAS 25 L, condensate separator for pumping speeds up to 35 m ³ /h	PK Z10 033
Protection Dust separators/Inlet particle filters	
SAS 25, DN 25 ISO-KF, polyester filter	PK Z60 508
Protection Oil mist eliminators	
Oil mist separator OME 25 S	104200
OME 25 M, oil mist separator for pumping speeds up to 12 m ³ /h	PK Z40 157
Protection Oil return units from oil mist eliminators	
Oil Return Unit ODK1 from Oil Mist Separator	104360
Oil Return Unit ODK 2 from OME 25, Solenoid Valve 230 V 50/60 Hz, Pascal 2005–2021	104361
Oil Return Unit ODK 2 from OME 25, Pascal 2005–2021, Solenoid Valve 115 V, 60 Hz	104362
Oil Return Unit ODK 2 from OME 25, Pascal 2002–2021	104364
Oil return unit ODK 2 from OME 25, Pascal 2005–2021, solenoid valve 24 V DC	104365
Protection Sorption traps	
Sorption trap ST 25 S	104107
Valves Gas ballast valves, magnetic	
Automatic Gas Ballast AGB 4, 230 V, 50/60 Hz	104086
Automatic gas ballast AGB 4, 115 V	104087
Automatic Gas Ballast AGB 4, 24 VDC	104089
Automatic Gas Ballast AGB 4, 200 V, 50/60 Hz	104366
Consumables	
A120, hydrocarbon oil, 2 L	068099
A111, hydrocarbon oil, 2 L	064655
A102, hydrocarbon oil, 2 L	010996
A119, hydrocarbon oil, 1 L	103855
A121, hydrocarbon oil, 1 L	102724
D1, synthetic diester based oil, 1 l	PK 005 875 -T

VACUUM SOLUTIONS FROM A SINGLE SOURCE

Pfeiffer Vacuum stands for innovative and custom vacuum solutions worldwide, technological perfection, competent advice and reliable service.

COMPLETE RANGE OF PRODUCTS

From a single component to complex systems:

We are the only supplier of vacuum technology that provides a complete product portfolio.

COMPETENCE IN THEORY AND PRACTICE

Benefit from our know-how and our portfolio of training opportunities!

We support you with your plant layout and provide first-class on-site service worldwide.

Are you looking for a
perfect vacuum solution?
Please contact us:

Pfeiffer Vacuum GmbH
Headquarters · Germany
T +49 6441 802-0
info@pfeiffer-vacuum.de

www.pfeiffer-vacuum.com

All data subject to change without prior notice.

PFEIFFER  **VACUUM**