

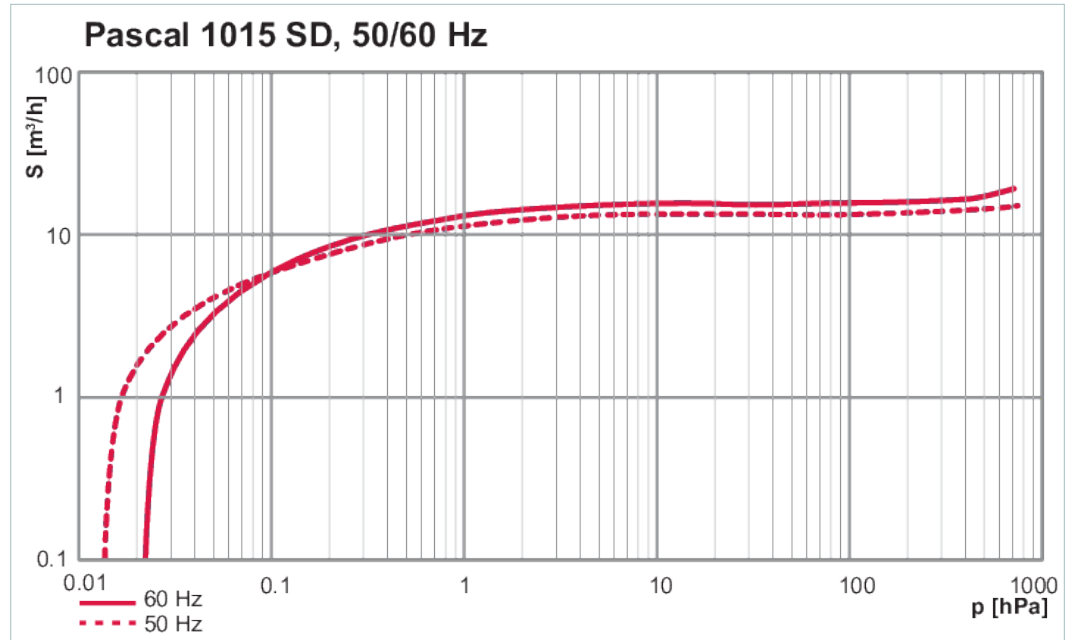


Pascal 1015, SD version, 1-phase motor, 180–254 V, 50/60 Hz, CE/UL/CSA

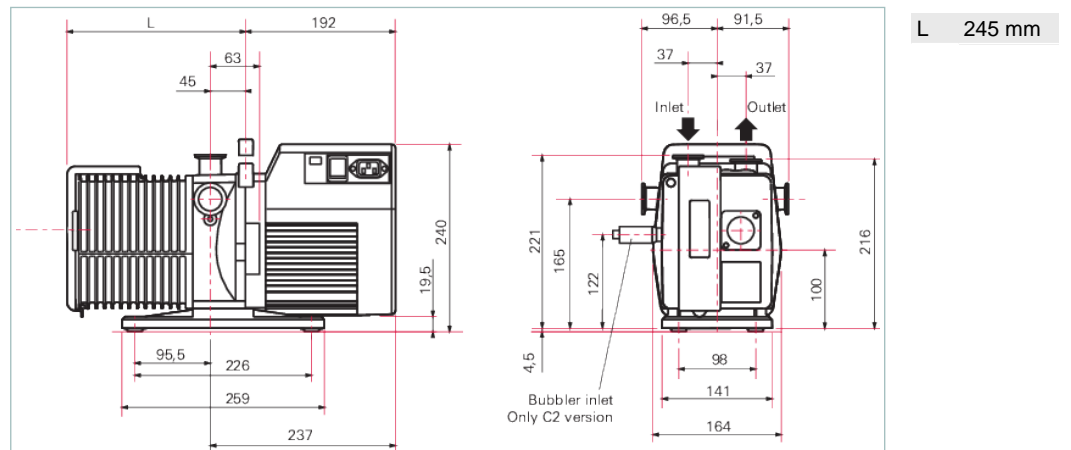


Similar Image

Pascal 1015, SD version, 1-phase motor, 180–254 V, 50/60 Hz, CE/UL/CSA



Dimensions



Technical Data	Pascal 1015, SD version, 1-phase motor, 180–254 V, 50/60 Hz, CE/UL/CSA
Pumping speed at 60 Hz	16.5 m³/h 9.71 cfm 275 l/min
Pumping speed at 50 Hz	14 m³/h 8.24 cfm 233.33 l/min
Protection category	IP43
Ultimate pressure with gas ballast	7 hPa 5.25 Torr 7 mbar
Ultimate pressure without gas ballast	5 · 10 ⁻² hPa 3.75 · 10 ⁻² Torr 5 · 10 ⁻² mbar
Ultimate pressure	5 · 10 ⁻² hPa 3.75 · 10 ⁻² Torr 5 · 10 ⁻² mbar
Flange (in)	DN 25 ISO-KF
Flange (out)	DN 25 ISO-KF
Rated power 50 Hz	0.45 kW
Rated power 60 Hz	0.55 kW
Motor version	1-ph motor

Technical Data		Pascal 1015, SD version, 1-phase motor, 180–254 V, 50/60 Hz, CE/UL/CSA
Mains cable	Yes, EU power cable	
Operating fluid	Mineral oil	
Operating fluid filling	1 l	
Weight	24.5 kg 54.01 lb	

Order number	
Pascal 1015, SD Version	115SDMHEM

Accessories	
Cables Mains cables / Power cords	
Mains cable 115 V with NEMA-plug, right angle IEC 320/C13 socket, 2 m	PK 050 110
Mains cable 230 V with safety plug, right angle IEC 320/C13 socket, 2 m	PK 050 109
Mains cable 115/230 V without plug, rubber connector (right angle), 3 m	PK 050 111
Monitoring Oil/Operating fluid level monitoring	
Oil level switch OLS 4	104376
Protection Catalyzer traps	
URB 025, catalytic trap, 115 V	PT U10 761
URB 025, catalytic trap, 230 V	PT U10 760
Protection Cold traps	
KLF 025, cold trap	PK Z80 006
Protection Condensate separators	
KAS 25 L, condensate separator for pumping speeds up to 35 m ³ /h	PK Z10 033
Protection Dust separators/Inlet particle filters	
SAS 25, DN 25 ISO-KF, polyester filter	PK Z60 508
Protection Oil mist eliminators	
Oil mist separator OME 25 S	104200
OME 25 ML, oil mist separator for pumping speeds of up to 30 m ³ /h	PK Z40 158
Protection Oil return units from oil mist eliminators	
Oil Return Unit ODK1 from Oil Mist Separator	104360
Oil Return Unit ODK 2 from OME 25, Solenoid Valve 230 V 50/60 Hz, Pascal 2005–2021	104361
Oil Return Unit ODK 2 from OME 25, Pascal 2005–2021, Solenoid Valve 115 V, 60 Hz	104362
Oil Return Unit ODK 2 from OME 25, Pascal 2002–2021	104364
Oil return unit ODK 2 from OME 25, Pascal 2005–2021, solenoid valve 24 V DC	104365
Protection Sorption traps	
Sorption trap ST 25 S	104107
Valves Gas ballast valves, magnetic	
Automatic Gas Ballast AGB 4, 230 V, 50/60 Hz	104086
Automatic gas ballast AGB 4, 115 V	104087
Automatic Gas Ballast AGB 4, 24 VDC	104089
Automatic Gas Ballast AGB 4, 200 V, 50/60 Hz	104366
Consumables	
D1, synthetic diester based oil, 1 l	PK 005 875 -T
A120, hydrocarbon oil, 2 L	068099
A111, hydrocarbon oil, 2 L	064655
A102, hydrocarbon oil, 2 L	010996
A121, hydrocarbon oil, 1 L	102724

VACUUM SOLUTIONS FROM A SINGLE SOURCE

Pfeiffer Vacuum stands for innovative and custom vacuum solutions worldwide, technological perfection, competent advice and reliable service.

COMPLETE RANGE OF PRODUCTS

From a single component to complex systems:

We are the only supplier of vacuum technology that provides a complete product portfolio.

COMPETENCE IN THEORY AND PRACTICE

Benefit from our know-how and our portfolio of training opportunities!

We support you with your plant layout and provide first-class on-site service worldwide.

Are you looking for a
perfect vacuum solution?
Please contact us:

Pfeiffer Vacuum GmbH
Headquarters · Germany
T +49 6441 802-0
info@pfeiffer-vacuum.de

www.pfeiffer-vacuum.com

All data subject to change without prior notice.

PFEIFFER  **VACUUM**